



Wingrove Marketing Pty. Ltd.

ABN 47 041 945 367 10 Meehan Place, Kirrawee NSW Australia 2232

Telephone 61 2 8539 7300 Facsimile 61 2 8539 7677

Email sales@wingrovetmarketing.com.au

Website www.wingrovetmarketing.com.au

MS-UR Connector



For General Butt Splicing

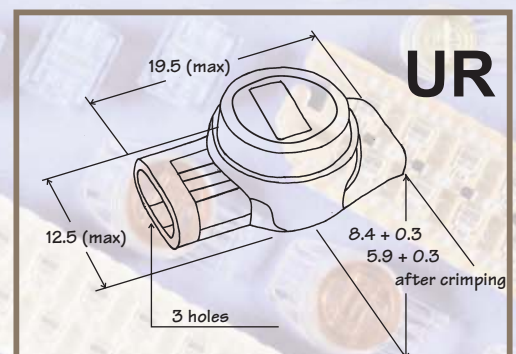
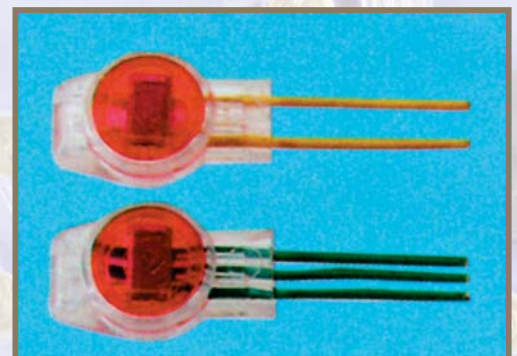
This gel-filled moisture resistant UR insulation butt connector (Red lid) is self-stripping and is designed to be used for either two or three-wire connections. It consists of three ports for straight and bridge splicing.

The UR connection will accept two or three-wire combinations of 19 (0.9mm) through 26 (0.4mm) AWG air core or 22 (0.6mm) through 26 (0.4mm) AWG filled cable with a maximum insulation O.D. of 1.67 mm.

Technical Information

- Gel-filled IDC
- Insulated tap connector for two or three solid-copper conductors of 19 to 26 AWG having maximum O.D. of 1.67 mm
- Simple crimp connection using MS-Crimping Tool for fast, easy and reliable installation
- Moisture resistant sealant, rated to IP 67
- Dust resistant
- Immersible up to 1 metre
- Dielectric strength 3.0KV min (at 60HZ AC test voltage and a rate of 500V (RMS)/sec)
- High humidity insulation resistance of 105 M-ohm minimum
- Water immersion insulation resistance 100M-ohm minimum
- Connection resistance change is 2M-ohm maximum (after testing for vibration)

Connector UR	
Maximum Insulation O.D.	
Metric (mm)	1.67
Inches	0.066
Cable Type	
PIC-unfilled and PIC-filled, Pulp or Paper	
AWG	19-26
Metric (mm)	0.9-0.4
Ordering Information	
Gross Weight (net in kg)	14.20 (12.0) Per carton
Packing Size (cm)	38x30x28 Per carton
Package Quantity	100 pcs/small box 500 pcs/small bag 1,000 pcs/box 5,000 pcs/bulk bag 10,000 pcs/carton



Exclusive Representative for



MAINSTRING CO., LTD.

Hsin Ying Industrial Area
Suburb No 2, Shin Yea Street, Hsin Ying,
Tainan, Taiwan R.O.C.

Australian TM application 1102134 & 1102146
New Zealand TM application 743940 & 743944



Wingrove Marketing Pty. Ltd.

ABN 47 041 945 367 10 Meehan Place, Kirrawee NSW Australia 2232

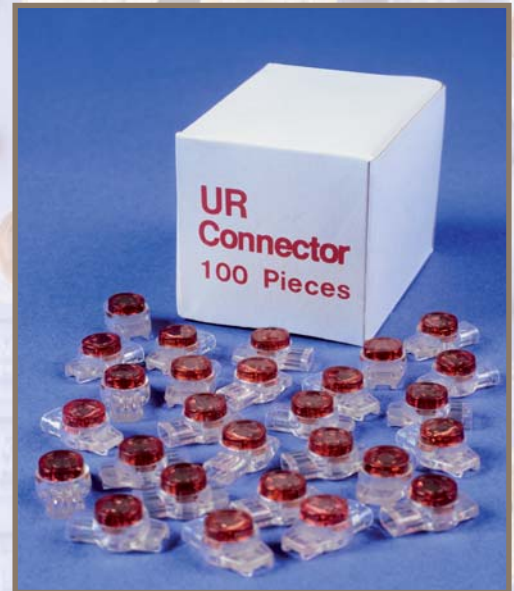
Telephone 61 2 8539 7300 Facsimile 61 2 8539 7677

Email sales@wingrovemarketing.com.au

Website www.wingrovemarketing.com.au

MS MAINSTRING IDC Gel Connectors for Communication Applications

ORDERING INFORMATION			
MS Insulation Displacement Connectors for Communication			
Product ID	Part No.	Inner Unit Pack	Wholesaler Order Qty
MS-UR	MS-UR-100B	100/box	1,000 box
	MS-UR-500B	500/bag	5,000 bulk bag
	MS-UR-1000B	1,000/box	10,000 carton
MS-UR-Dry	MS-URD-100B	100/box	1,000 box
	MS-URD-500B	500/bag	5,000 bulk bag
	MS-URD-1000B	1,000/box	10,000 carton



Crimping Tool

The crimping tool is small, light weight, easy-to-handle and economical. It has stepped jaws that provide a nearly parallel crimping action at time of connection.

The crimping tool also features side wire cutting and insulated handles. It is designed for use with UR, UB and UY connectors.

Ordering Information	
Gross (Net) Weight	11.4 (10.4) kg Per carton
Packing Size	37x31x19 cm Per Carton
Package Quantity	1/bag 6/box 72/carton



ORDERING INFORMATION			
MS Insulation Displacement Connectors for Communication			
Product ID	Part No.	Inner Unit Pack	Wholesaler Order Qty
MS-Crimping Tool	MS-CTool-6B	1/bag	6/box
	MS-CTool-72B	6/box	72/carton

Exclusive Representative for



MAINSTRING CO., LTD.

Hsin Ying Industrial Area
Suburb No 2, Shin Yea Street, Hsin Ying,
Tainan, Taiwan R.O.C.

Australian TM application 1102134 & 1102146
New Zealand TM application 743940 & 743944